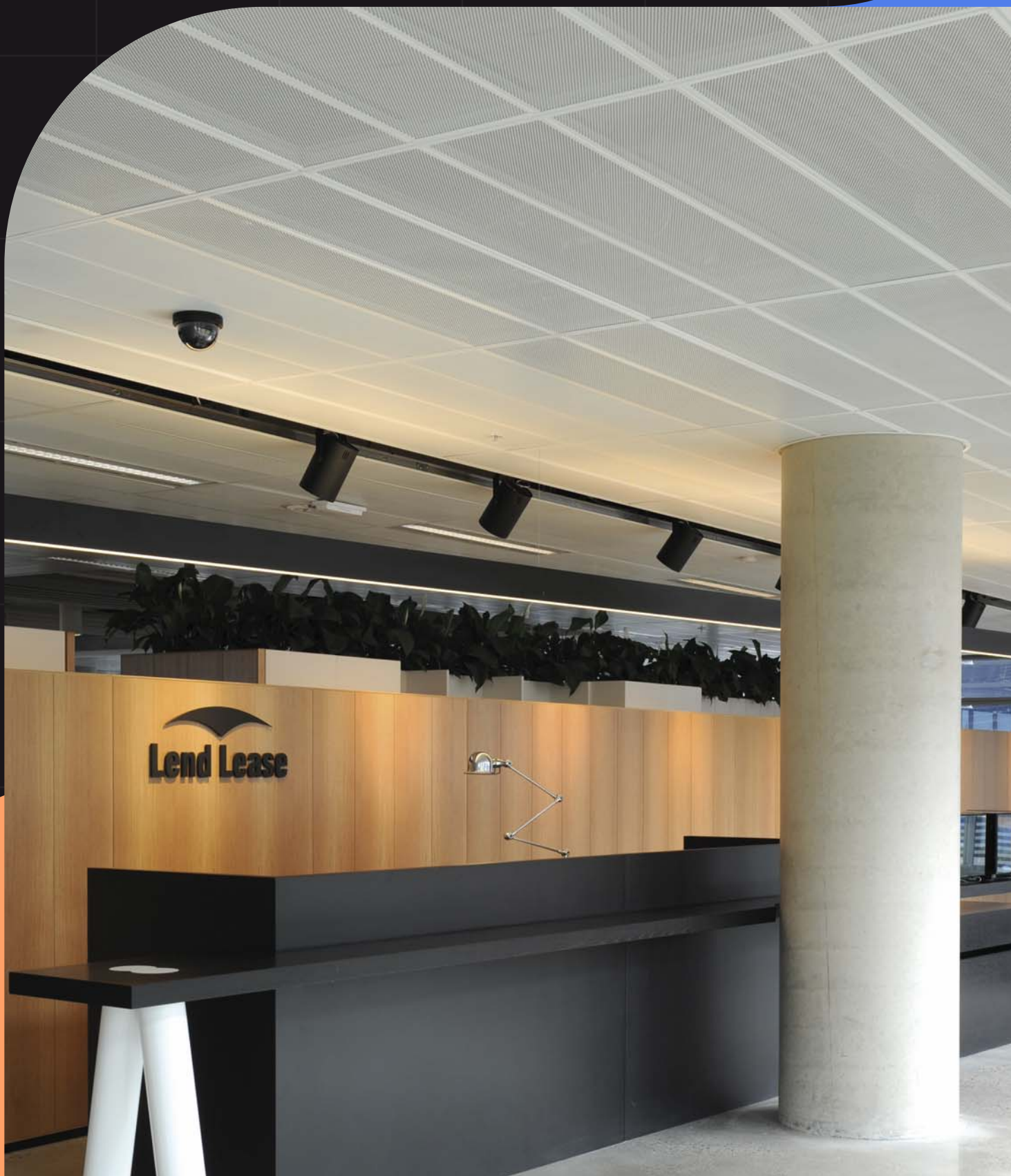


AXIOM Perimeter Systems

Armstrong[®]
CEILING SOLUTIONS



AXIOM

AXIOM Pelmet Systems

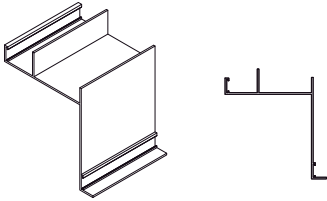
Transition in style

Regain aesthetic control of the perimeter with an Armstrong® Axiom Pelmet Systems. The transition from pelmet to either plasterboard margin or acoustic ceiling is now simple. Armstrong® Axiom Pelmet Systems are a pre-engineered solution, integrating curtain pelmets, air distribution and ceiling elevation changes. Field fabrication and on-site decisions become a thing of the past. Armstrong® Axiom Pelmet Systems directly integrate with the ceiling grid via a positive locking connection clip. Concealed splice plates enable mechanical lock connections between adjacent pelmet sections.

Three easy Profiles

There are three basic aluminum extrusion profiles that provide a precise, crisp architectural detail.

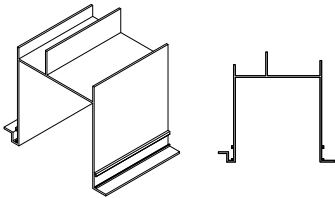
1



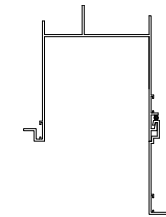
2-Sided Pelmet with transition to Acoustical/Drywall Grid

Single piece aluminium extrusion that forms a simple 2 sided pelmet. Transition to either acoustical grid or set plaster margin.

2



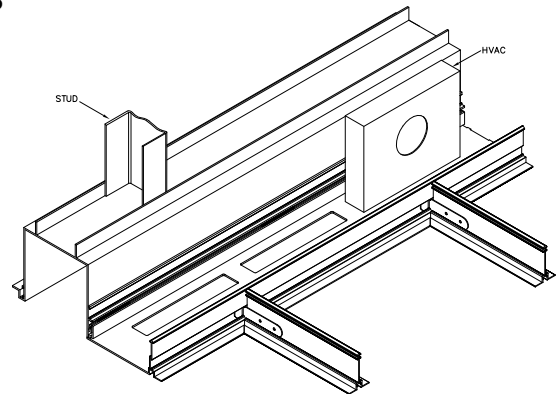
3-Sided Pelmet with transition to Acoustical/Drywall Grid



Pelmet with Extension

Pre-engineered aluminium 3 sided pelmets can be produced from one or two piece sections enabling flexibility in size of pelmet. Extension components allow for additional design flexibility and ceiling elevation changes. Transition to either acoustical grid or set plaster margin.

3



3-Sided Perimeter Pelmet with Diffuser Face Plate and transition to "Blue Tongue" Grid

Pelmets can be designed for full integration with air distribution at the perimeter. Diffuser face plate is pre-slotted according to air supply specifications. Transition to either acoustical grid or set plaster margin.



AXIOM Pelmet Systems



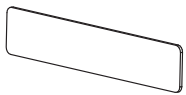
Three-Sided Pelmet with Air Diffuser Face Plate



Two Piece Pelmet with Margin

Accessories for Axiom Pelmet Sections

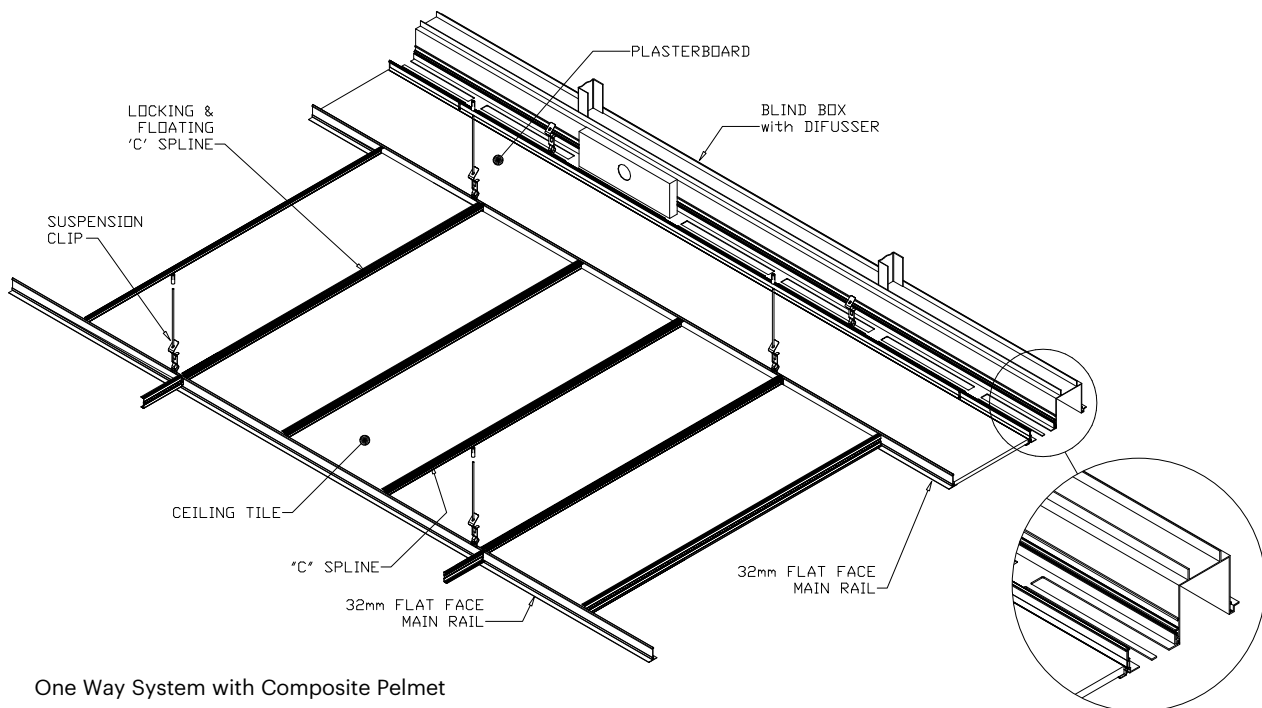
Component Specifications



Item	Design
ALMRJS	Joiner for Pelmet



Single Piece Pelmet



One Way System with Composite Pelmet

Additional information and detailed drawings on the Axiom Pelmet Systems can be found at www.armstrongceilings.com.au



Distributed by



Grayking Interior Supply

- 📞 NSW (02) 9666 6688
- 📞 QLD (07) 3267 6222
- ✉️ sales@grayking.com.au
- 🌐 grayking.com.au



Madex Linings & Ceiling Distributors

- 📞 VIC (03) 9336 2419
- ✉️ info@mlcd.com.au
- 🌐 mlcd.com.au



M & C Plaster Supply

- 📞 VIC (03) 9362 0214
- ✉️ info@mcplaster.com.au
- 🌐 mcplastersupplies.com.au