

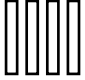
SAS500





Distributed by



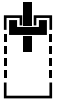
Overview

SYSTEM GROUP	SUSPENSION METHOD
	Suspended from primary grid, threaded rod or cable hangers
Baffle	

TILE	
	
Enclosed baffle	Square edge

ACOUSTICS	
A-C	None. Baffles are open systems
Absorption class	Insulation

ACCESS	SYSTEM WEIGHT	LIFE EXPECTANCY
Baffles are open systems	9.3kg/lm + Grid	25yr
	Based on standard 1000x400x50mm baffle	In excess of



SAS500 acoustic baffles offer a visually engaging alternative to suspended acoustic ceiling systems, ideal for exposed soffit areas. Baffles offer exceptional absorption characteristics, effectively controlling reverberation within these highly sound reflective interiors. Available in numerous colours and sizes, the baffles can be suspended at a range of heights for further visual interest.

Baffle Sizes

Standard baffle lengths are 1200mm, 1500mm and 1800mm. Baffle depths are between 100mm and 500mm. Standard width is 50mm. Bespoke baffle sizes and shapes are available on request.

Note Individual baffles are supplied assembled ready for installation on-site.

Linear baffles intended for long continuous runs are supplied loose for on-site assembly.

Finishes

SAS500 is available in all standard SAS finishes, please refer to page 105. Bespoke finishes are available on request.

Perforations

SAS500 can be manufactured with any standard SAS perforation. For our full range of perforations, please refer to page 83. Bespoke perforations are also an option.

Acoustic Materials

50mm deep, 45Kg density mineral wool pad with black tissue face. Other acoustic materials are available, please refer to page 20.

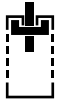
Service Integration

SAS500 baffles can be manufactured with integrated LED lighting.

Technical Support

Please contact our technical team for all questions relating to bespoke features, sizes or service integration.

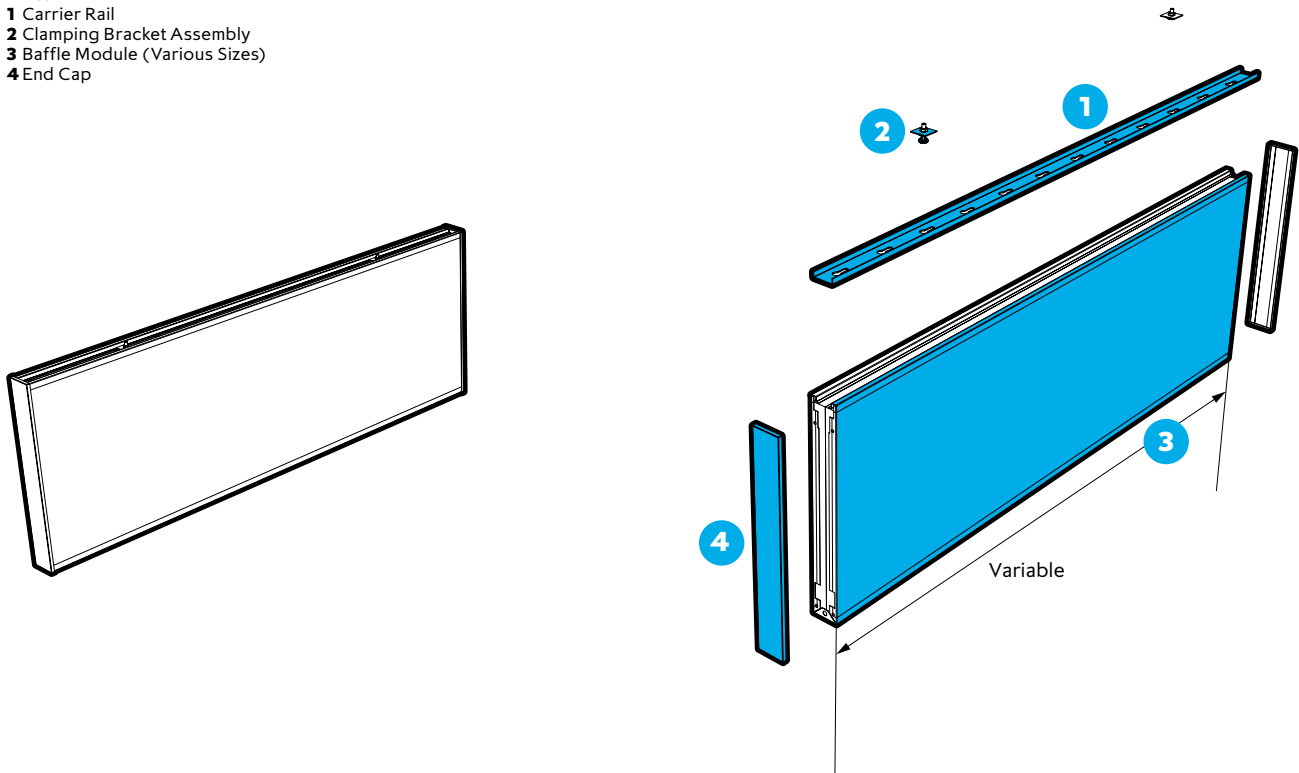
SAS500 | Modular



Perspective Drawing

Linear

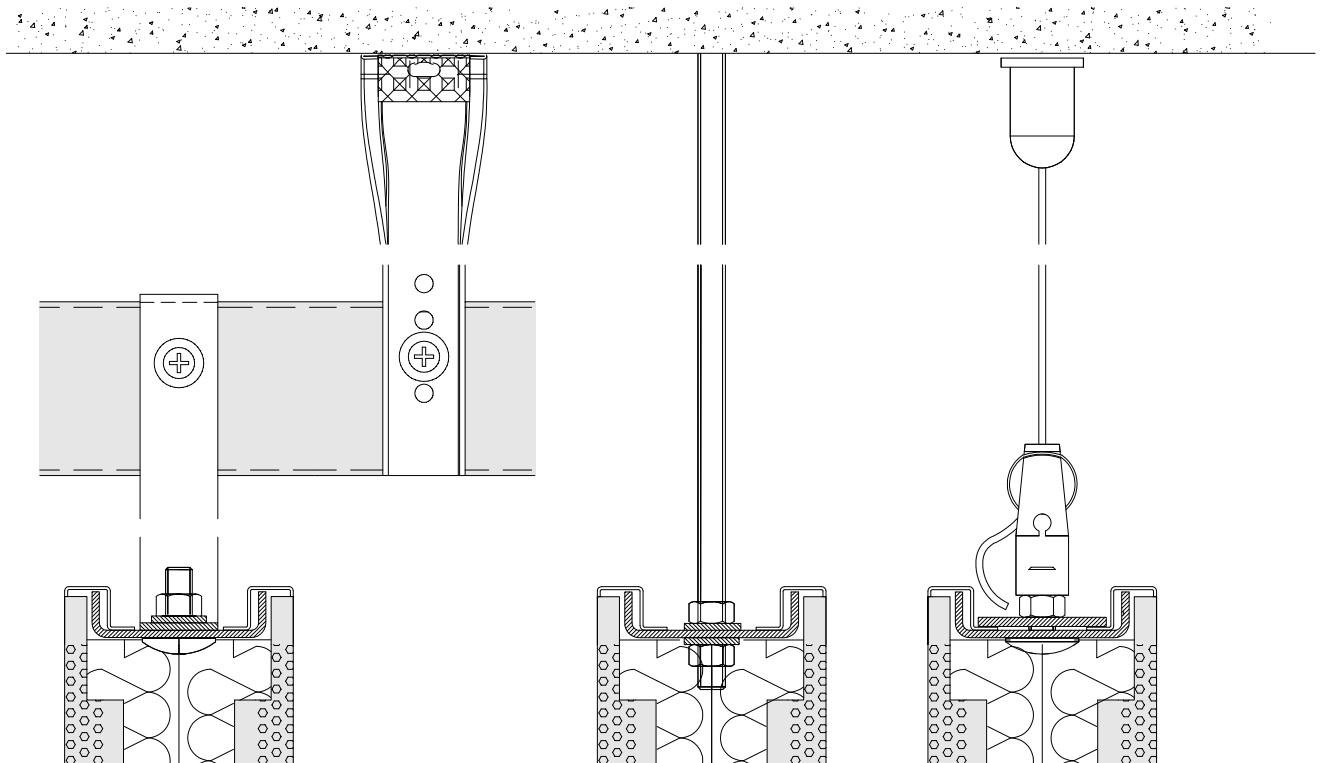
- 1 Carrier Rail
- 2 Clamping Bracket Assembly
- 3 Baffle Module (Various Sizes)
- 4 End Cap



Grid Hanging

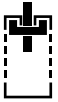
Threaded Rod Hanger

Cable Hanging



All dimensions are in mm.

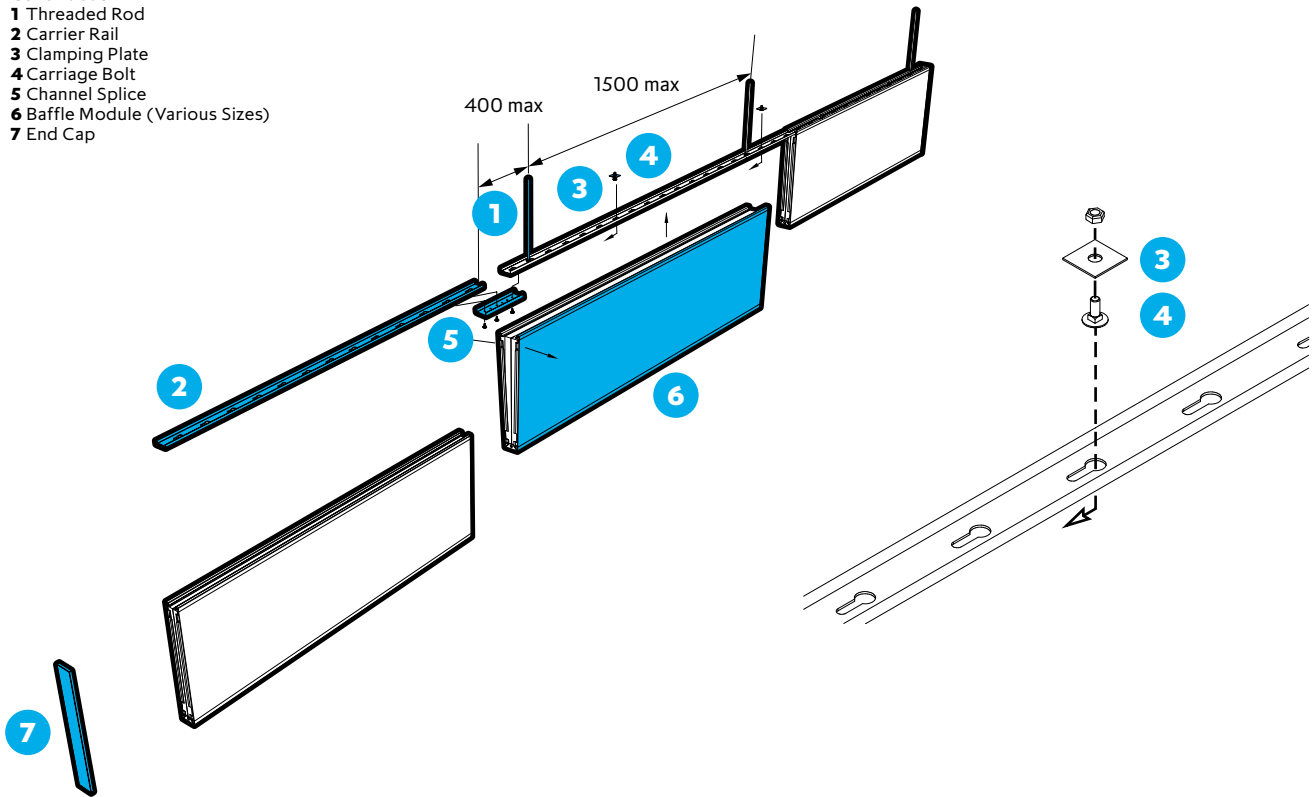
SAS500 | Continuous



Perspective Drawing

Continuous

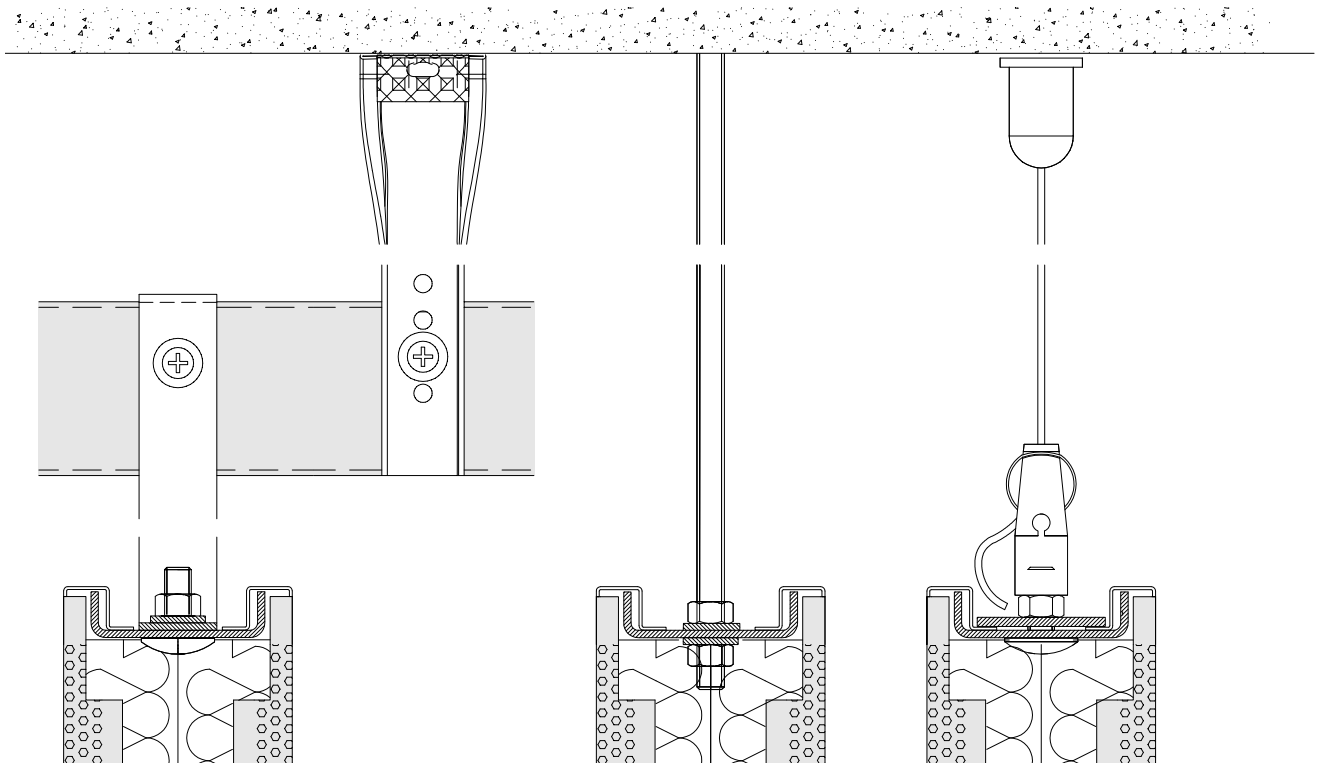
- 1 Threaded Rod
- 2 Carrier Rail
- 3 Clamping Plate
- 4 Carriage Bolt
- 5 Channel Splice
- 6 Baffle Module (Various Sizes)
- 7 End Cap



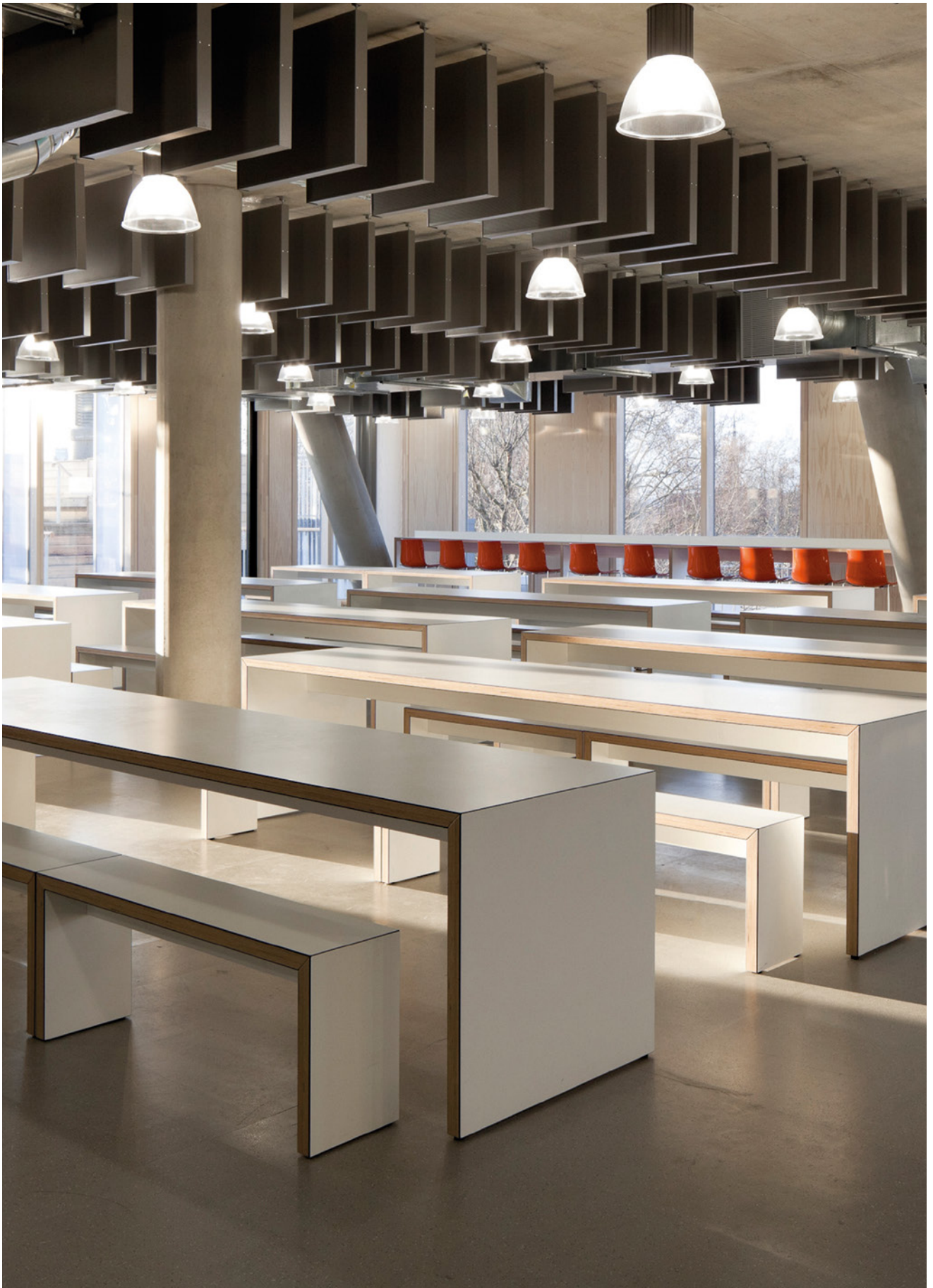
Grid Hanging

Threaded Rod Hanger

Cable Hanging



All dimensions are in mm.



SAS**500**



City of Westminster College

Paddington Green Campus

Location
London, UK
Architect
**Schmidt Hammer
Lassen**

Contractor
**McLaren
Construction**
Purpose
Education

SAS^{PLUS}

SAS Plus offers the system designer access to SAS' in-house design team to collaborate on bespoke ceiling specification. Systems can be variants of standard SAS offerings, or completely bespoke designs.

Distributed by



GRAYKING
INTERIOR SUPPLY

Grayking Interior Supply Pty Ltd

NSW

📍 65A Stephen Road
Botany New South Wales 2019 (02)
☎ 9666 6688
✉ sales@grayking.com.au

QLD

☎ (07) 3267 6222
✉ sales@grayking.com.au